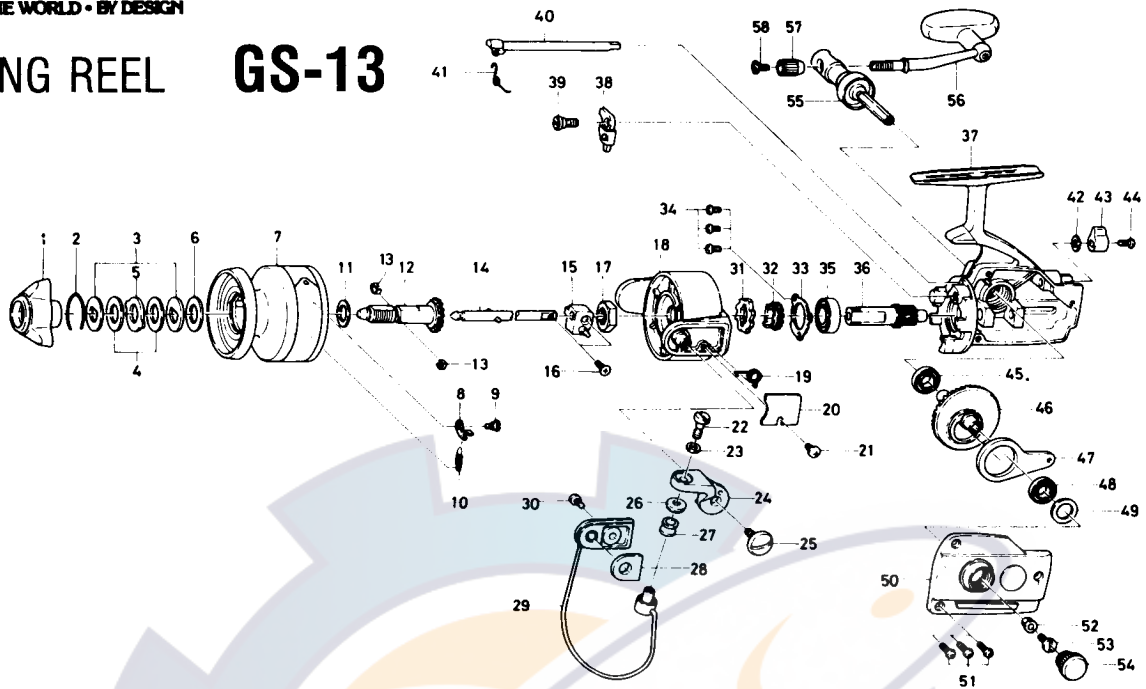


SPINNING REEL **GS-13**



LINE CAPACITY: 200 YDS., 8 LB. TEST (185m. 3.6kg)

Key No. 1 ~ 13  
6-732-7707 Spool assembly \$12.45  
Key No. 55 ~ 58  
6-747-1801 Handle assembly 3.85

Key No.	Parts No.	Parts Name	Price Per Piece	Key No.	Parts No.	Parts Name	Price Per Piece
1	6-740-3311	Drag knob	\$ .85	30	6-351-6601	Bail holder screw	\$ .10
2	6-170-4601	Drag washer retainer	.10	31	6-280-7901	Ratchet	.70
3	6-374-4802	Drag D washer	.15	32	6-270-8401	Click gear	.40
4	6-373-3701	Disc washer	.25	33	6-321-0201	Ball bearing ret. washer	.15
5	6-373-3603	Drag A washer	.15	34	6-351-0901	Bail bearing ret. washer screw	.10
6	6-373-3704	Drag washer A	.15	35	6-635-4801	Ball bearing	4.00
7	6-732-7403	Spool	N/A	36	6-402-8701	Pinion gear	1.80
8	6-030-5311	Spool click claw	.35	37	6-701-1201	Body	9.60
9	6-363-4501	Spool click claw screw	.15	38	6-770-1601	Anti-reverse claw	1.10
10	6-142-0011	Spool click claw spring	.15	39	6-363-7101	Anti-reverse claw screw	.25
11	6-375-5701	Spool washer	.10	40	6-461-5712	Anti-reverse cam	.80
12	6-720-1721	Spool metal	1.35	41	6-144-0301	Anti-reverse cam spring	.15
13	6-151-7211	Spool metal leaf spring	.15	42	6-371-6903	Anti-reverse lever washer	.10
14	6-711-2902	Main shaft	2.30	43	6-541-6201	Anti-reverse lever	.45
15	6-637-0102	Oscillating support	.70	44	6-353-4401	Anti-reverse lever screw	.10
16	6-351-5311	Oscillating slider screw	.10	45	6-634-1301	Ball bearing	3.00
17	6-340-8301	Rotor nut	.20	46	6-413-9001	Drive gear	3.90
18	6-202-0102	Rotor	4.20	47	6-481-2101	Oscillating slider	.45
19	6-142-6721	Bail spring	.10	48	6-634-1301	Ball bearing	3.00
20	6-634-1501	Bail spring cover	.15	49	6-372-8600	Drive gear washer	.10
21	6-351-1801	Bail spring cover screw	.10	50	6-706-7701	Body cover	3.70
22	6-353-1811	Bail screw	.20	51	6-351-7801	Body cover screw	.10
23	6-375-1001	Bail washer	.10	52	6-501-8501	Handle screw holder	.50
24	6-231-1701	Arm lever	.40	53	6-363-8501	Handle screw	.15
25	6-363-5201	Arm lever screw	.45	54	6-363-6002	Handle screw cap	.50
26	6-501-1601	Roller collar	.20	55	6-747-2601	Handle stand	1.75
27	6-250-4211	Line roller	.30	56	6-747-1901	Handle arm	2.25
28	6-210-3701	Balancer	.35	57	6-342-3001	Handle arm ret. nut	.50
29	6-725-6012	Bail	1.95	58	6-353-0701	Handle arm ret. nut screw	.10